

Anadigm SingleApex Development Board

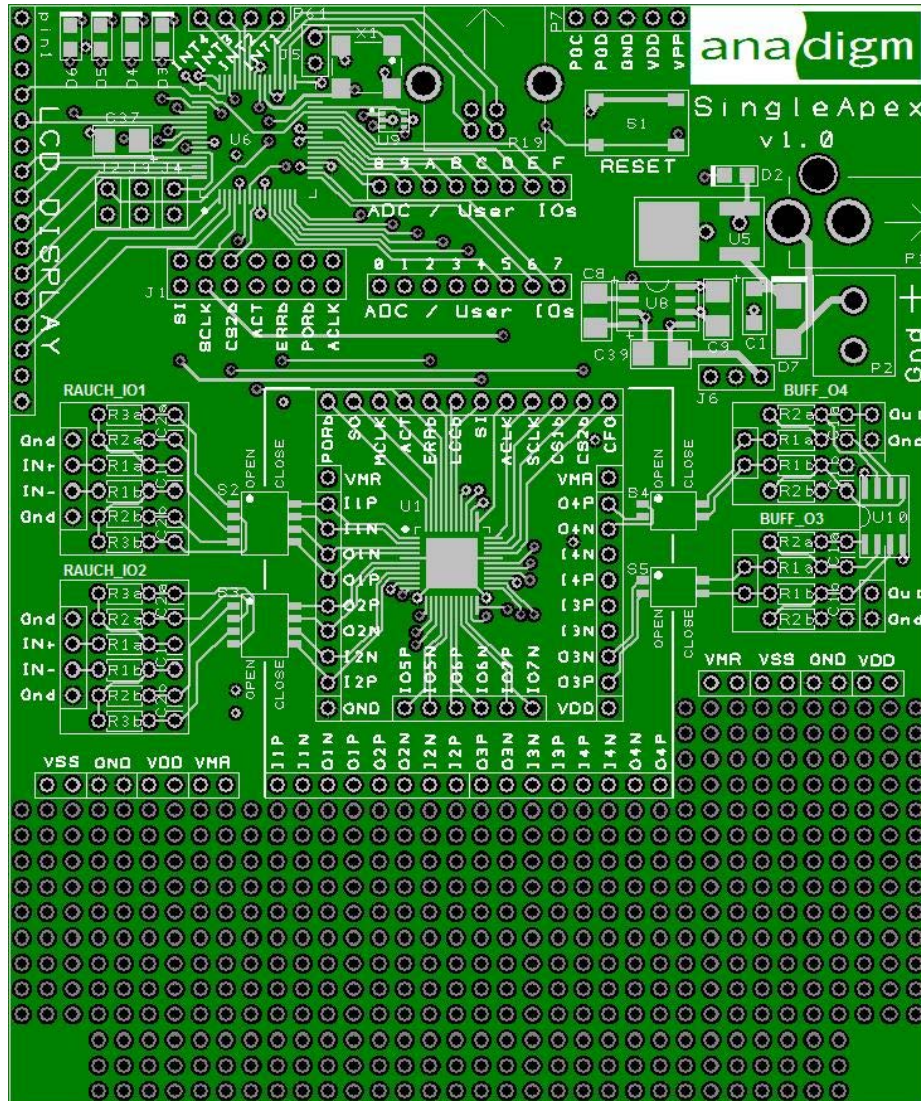


Figure 1: Anadigm SingleApex Development Board

Disclaimer

Anadigm reserves the right to make any changes without further notice to any products herein. Anadigm makes no warranty, representation or guarantee regarding the suitability of its products for any particular purpose, nor does Anadigm assume any liability arising out of the application or use of any product or circuit, and specifically disclaims any and all liability, including without limitation consequential or incidental damages. "Typical" parameters can and do vary in different applications. All operating parameters, including "Typical's" must be validated for each customer application by customer's technical experts. Anadigm does not in this document convey any license under its patent rights nor the rights of others. Anadigm software and associated products cannot be used except strictly in accordance with an Anadigm software license. The terms of the appropriate Anadigm software license shall prevail over the above terms to the extent of any inconsistency.

Anadigm SingleApex Development Board

1.0 Overview

The Anadigm SingleApex development board is an easy-to-use platform designed to help you get started with implementing and testing your analog designs on the Anadigm Apex FPAA silicon devices. Furthermore, with its 32bit PIC32 microcontroller and analog FPAA device, it provides an extremely powerful platform on which to develop embedded systems.

This manual provides an overview on how to effectively use this board to implement your analog design. But first, here are some salient features of the Anadigm SingleApex development board:

Features with this new development board

- **Board footprint – 4.3 x 3.6 inches**
- **Versatile supply requirement – single supply +4 to +9V**
- **On-board regulated +3.3V supply**
- **On-board generated -3.3V supply**
- **Standard USB serial interface for downloading AnadigmDesigner[®]2 circuit files**
- **32bit PIC32 with 80MHz clock, 512KB program memory, 32KB data memory, 16 x 10bit ADCs**
- **Simple 5 pin header for reprogramming of PIC32**
- **Option for 16MHz or 40MHz analog master clock**
- **16 x 2 LCD display capable**
- **Breadboard area**
- **Access points to all relevant pins of the FPAA**
- **Input Rauch LP filters, easily configured with passive components**
- **Output LP filter buffers, easily configured with passive components**
- **DIP switches for easy connectivity between FPAA, input Rauch filters, and output buffers**
- **Ability to electrically isolate digital & analog sections**
- **Ability to store configurations in FLASH**
- **Ability to self configure with test circuit**
- **Reset button**

Anadigm SingleApex Development Board

2.0 Layout

Figure 2 shows the layout of the board allowing easy location of all the components, power connections and jumpers.

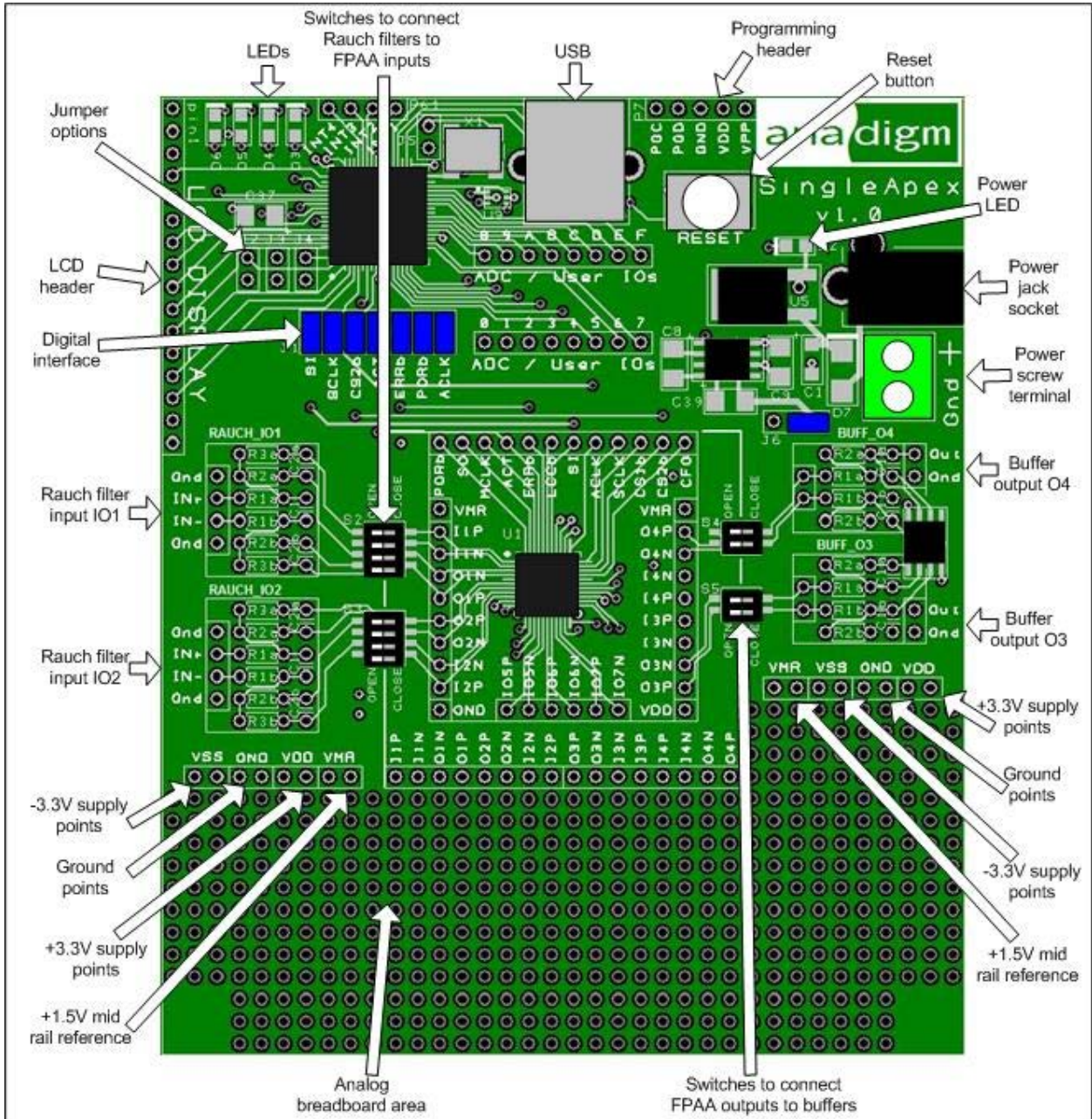


Figure 2: Top-level layout of the Anadigm SingleApex board

Anadigm SingleApex Development Board

3.0 Powering up the Anadigm SingleApex Development Board

The options for powering up the board are as follows:

- Connect a transformer with centre voltage between +4V and +9V to the jack socket input, OR
- Connect wires from a single precision, regulated supply to the on-board 2-way terminal with the voltage set to between 4V and 9V.

NOTE1: the board is protected against connection to a supply with the wrong polarity

NOTE2: The power supply “jack socket” specification is 5.5mm outer conductor, 2.1mm inner connector, inner (or center) connector is Positive.

WARNING: the board should not be powered with more than 9V

There is a green LED to indicate that the board is successfully powered up. The board should take approximately 100mA when first powered up and before the AN231E04 (FPAA) is configured. The current after the FPAA is configured depends very much on the circuit programmed into the FPAA. If the FPAA is configured with a circuit using all of the FPAA’s resources, then the board will take approximately 175mA (if an LCD attached but no circuitry added to the breadboard areas).

NOTE3: if a supply of 9V is used to power the board then it is not recommended to let the current significantly exceed 175mA for any length of time. If using a 6V supply then the board can take up to 370mA. If using a 5V supply then the board can take up to 600mA. If a large amount of extra (high current) circuitry is to be added to the breadboard areas then Anadigm recommends using a 5V supply.

Anadigm SingleApex Development Board

4.0 Programming the board

Programming the board in this case means configuring the FPAA. This can be done from a PC or laptop using a standard type A-B USB cable. The board uses serial port emulation so that from the computer end the link will appear as a COM port.

NOTE1: Windows 8.1 needs to have the “usbser.sys” file loaded to recognise the USB connection to the board.

To program the board (configure the FPAA) connect the USB cable between the board and a computer and power up the board. Open AnadigmDesigner®2 (AD2) on the computer and go to the Settings menu, then select Preferences. Click on the Port tab. In the drop down menu under “Select Port” there should be a COM port corresponding to the Anadigm board. This is actually a virtual COM port because the on board PIC32 microcontroller is emulating a serial port.

NOTE2: the COM port will have no label indicating that it is the Anadigm board, so if the computer has other devices connected to COM ports (real or virtual) then there may be more than one COM port appearing in the drop down box. In this case it may be necessary to do some trial and error to determine which port corresponds to the Anadigm board.

Select the appropriate COM port and check the box marked USB. Click on Apply, then click on OK. To check that AD2 is now able to communicate with the board, go to the Target menu and select Display Board Information. Figure 3 shows what should be seen.



Figure 3: Board information displayed by AD2

It should now be possible to download a circuit from AD2. To do this simply click on the download icon (to the left of the question mark, beneath Dynamic Config). Alternatively press Ctrl and 'W'. A yellow LED next to the microcontroller will flash as the FPAA is configured, and then a green LED will turn on to indicate that the FPAA has been configured correctly. A red LED will indicate that configuration failed.

Anadigm SingleApex Development Board

5.0 Other Features

5.1 Reset Button

There is a reset button at the top of the board, just to the left of the Anadigm logo. This resets the FPAA and the PIC32.

5.2 FLASH Storage

To place the board in FLASH storage mode, place a jumper on J4 and then reset the board (make sure there is no jumper on J3). After resetting the board, the FPAA will at first be configured with a blank circuit and the green LED will light to show successful configuration. The board will now be in FLASH storage mode which means that any configuration (primary) sent to the board will be stored in FLASH memory in the PIC32 microcontroller. Subsequent resetting of the board will result in this stored configuration being downloaded to the FPAA automatically. This circuit will be stored indefinitely until it is over-written with another configuration or is cleared by taking the board out of FLASH storage mode.

To take the board out of FLASH storage mode, remove the jumper from J4 and reset the board. The board will no longer be in FLASH storage mode and any stored configuration in the PIC32 will be overwritten with a blank configuration.

NOTE: FLASH storage mode should only be used for storing primary configurations.

5.3 Test Circuit

The board is capable of self configuring the FPAA with a test circuit for quick checking of the board. To do this, place a jumper on J3 and reset the board. The FPAA will now be configured with the test circuit (green LED indicates configuration successful). This test circuit outputs a sine wave on all 7 FPAA outputs (14 differential outputs). The frequency of this sine wave is 1kHz.

NOTE: if a jumper is placed on both J3 and J4, a different circuit will be loaded into the FPAA. This is a special test circuit used by Anadigm during production. The user is advised not to place jumpers on both J3 and J4.

5.4 Analog Access Points

The FPAA is surrounded by vias which give access to all of its analog and digital pins.

5.5 VMR

Included in the access points described above is VMR (Voltage Mid Rail = +1.5V) which is brought out to 2 vias, one on each side of the FPAA.

5.6 Digital Section

The digital section of the board contains the PIC32 microcontroller, status LEDs, 16MHz oscillator module and USB interface. This section can be electrically isolated from the analog part of the board by removing all of the jumpers from J1, however, if it is required that the FPAA continue to receive an analog clock (ACLK) then the jumper marked ACLK must be left on. If the user needs to disable the PIC32 microcontroller, one way is to place a jump wire between the pins marked VPP and GND on the programming header P7 (next to the reset button). Again all jumpers except ACLK should be removed from J1. In this case the PIC32 will be disabled but the FPAAs will continue to receive ACLK from the 16MHz oscillator module.

5.7 Analog Clock

The analog clock for the FPAA (ACLK) is supplied from a 16MHz oscillator module. Alternatively, by placing a jumper on J2 the analog clock can be driven by a 40MHz clock from the PIC32 microcontroller.

NOTE1: the new clock frequency only takes effect after resetting the board.

NOTE2: if using the board in 40MHz analog clock mode, the 16MHz oscillator module should not be disabled by placing a jumper on J5. The reason for this is that the PIC32 (which generates the 40MHz clock) is clocked by this oscillator module so the 40MHz clock is derived from it. So stopping the 16MHz clock will stop the 40MHz clock.

Anadigm SingleApex Development Board

5.8 PIC32 Programming Header

There is a standard 5 pin header P7 to the left of the reset button for re-programming the PIC32. The pins are labelled on the board: PGC, PGD, GND, VDD, VPP. The PIC32 has 512KB program memory. The default software that comes with the board, called the Anadigm Boot Kernel (ABK), uses just 10% of this memory. This software is available for download from the Anadigm website. The user is free to develop his own embedded software.

5.9 PIC32 ADC Channels & User I/Os

The PIC32 microcontroller on the board has 16 pins brought out for the user to use. These pins can be used as standard I/Os (RB0-15) or as 10bit ADC channels (AN0-15). These I/Os and ADC channels are not used by the ABK but are available for the user developing his own embedded software.

NOTE1: AN15 is also used for the LCD so is not available as an ADC channel or I/O if an LCD display is used.

NOTE2: AN6,7 are shared with the programming header. This does not prevent use of these channels, but leaving a programmer connected to the board may cause issues when using these channels.

5.10 LCD Display

A standard 16x2 LCD display can be added to the board. This can be fitted onto the 16 pin header on the left side of the board. The header pins are not fitted as standard so need to be added. The header required is a standard 16 pin 2.54mm (0.1") pitch SIL header pin. Pin 1 is in the top left corner of the board and is marked.

5.11 Breadboard Area

There is a breadboard area where the user can add their own circuitry. This area is provided with its own power and ground.

5.12 Negative Supply

There is a negative supply (-3.3V) which is generated on the board from the positive supply (+3.3V). This negative supply is used for the output buffer stages but can also be used by the user for circuits built onto the breadboard. The negative supply is enabled by moving the jumper J6 to the left. It is disabled by moving J6 to the right, in which case the negative supply is grounded.

5.13 DIP Switches

The user can make his own connections on the board with wires, but there are a set of DIP switches that allow for easy connection of certain paths between the FPAA and input/output buffers. These switches are open by default, which means they are all pushed to the left. The user can close switches by pushing them to the right. A summary of the DIP switches is shown in table 1.

Anadigm SingleApex Development Board

Function	Type	Labels
Connect Rauch filters to FPAA i/ps	4way	S2,3
Connect FPAA o/ps to buffers	2way	S4,5

Table 1: DIP Switches

NOTE: The DIP switches are small and of the flush type, so a sharp tool such as a thin screw driver is recommended for opening/closing the switches.

EXAMPLES:

- To connect Rauch filter input to I1 of FPAA - close all 4 switches on S2
- To connect Rauch filter input to I2 of FPAA - close all 4 switches on S3
- To connect O4 of FPAA to output buffer - close both switches of S4
- To connect O3 of FPAA to output buffer - close both switches of S5

NOTE1: Rauch filters (see section 5.14) use 4 of the FPAA pins, using both the differential inputs AND the differential outputs.

NOTE2: these DIP switches provide the ability to make certain connections on the board very easily and quickly, but the user can make any connections they want by soldering on wires.

5.14 Input Rauch Filters

There are 2 input buffer stages called Rauch filters. These are multi purpose buffers which do the following: they can convert a single-ended signal to differential into the FPAA, they can step up a ground referenced signal to Voltage Mid Rail (VMR = +1.5V) into the FPAA, they can amplify or attenuate an input signal to allow for perfect matching to the FPAA supply, and they provide a low pass filter function (two pole) which is very useful in minimising high frequency noise from being aliased into the FPAA.

The Rauch filter consists of 9 passive components (6 resistors and 3 capacitors) connected to the 4 pins of a type 1 I/O (IOCell1,2,3,4 of the FPAA). The 6 resistors are in the form of 3 identical pairs, the capacitors are in the form of 1 identical pair and 1 on its own. These components work in combination with an amplifier built into the I/O of the FPAA. This amplifier must be enabled for the Rauch filter to work. To enable the amplifier in AD2, double click on the appropriate IO cell (IOCell1-4), select the radio button marked Input, select the radio button marked Amplifier (Filter). Click on OK. Figure 4 shows the amplifier as it appears in AD2 (left), a schematic showing how the components are connected (middle) and the layout of one of the Rauch filters provided on the board.

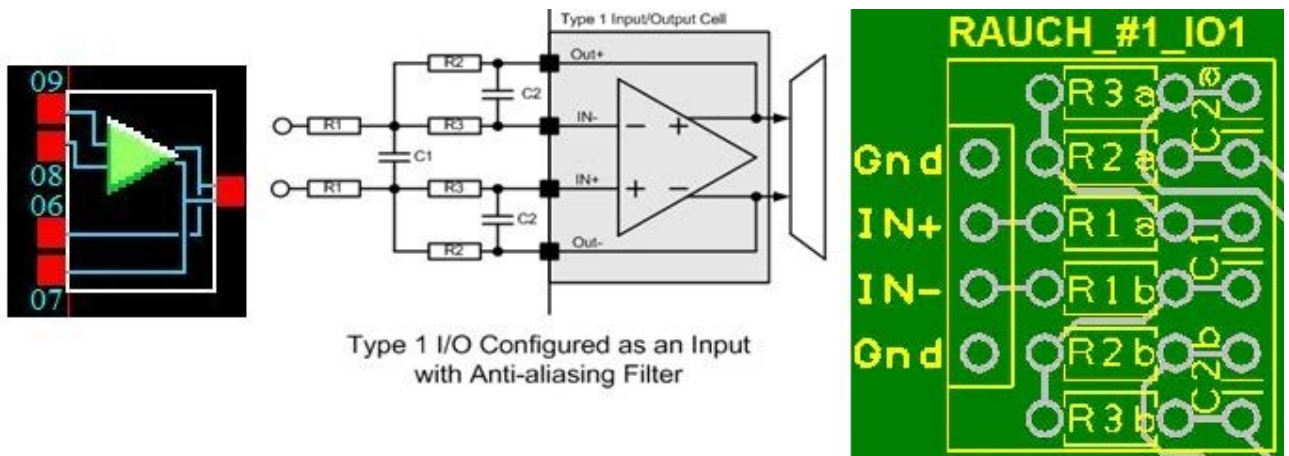


Figure 4: Rauch Filter

Anadigm SingleApex Development Board

The equations for gain, corner frequency and Q of the Rauch low pass filter are as follows:

$$G = R2 / R1$$

$$F_o = [1 / (2.\pi.R2)] \times \text{SQRT}[(R1+R2) / (2.C1.C2.R1)]$$

$$Q = \text{SQRT}[(C1.R1) / (2.C2.(R1+R2))]$$

To determine component values for required values of gain, corner frequency and Q, first select a suitable value for R1 (e.g. 10k Ω) and then use the following equations to calculate the other component values:

$$R2 = R1.G$$

$$R3 = R1.G / (G+1)$$

$$C1 = Q.(G+1) / (2.\pi.G.F_o.R1)$$

$$C2 = 1 / 4.\pi.G.F_o.Q.R1$$

As an example, suppose it is required to have the following parameters in the input stage:

$$\text{Gain} = 1.5$$

$$F_o = 20\text{kHz}$$

$$Q = 0.707$$

First a suitable value for R1 must be decided e.g. 10k Ω . Then using the equations for R2, R3, C1 and C2 we get:

$$R1 = 10\text{k}\Omega$$

$$R2 = 15\text{k}\Omega$$

$$R3 = 6\text{k}\Omega \quad (\text{nearest preferred value is } 5.6\text{ k}\Omega)$$

$$C1 = 0.938\text{nF} \quad (\text{nearest preferred value is } 1\text{nF})$$

$$C2 = 0.375\text{nF} \quad (\text{nearest preferred value is } 330\text{pF})$$

The preferred component values can be fed back into the original equations to determine the realised parameters. There is an Excel spreadsheet provided by Anadigm that makes the whole process much simpler. This can be downloaded from the Anadigm website.

NOTE1: if the input signal to the Rauch filter is single-ended, then simply connect the left side of one of the R1 resistors (see schematic in figure 4) to ground.

NOTE2: for best noise results, the low pass corner frequency should be set just above the highest frequency of the input signal.

NOTE3: for best noise results, the gain should be set so that, for the maximum amplitude of the input signal, the output of the Rauch filter is just within 0 and 3V supply, corresponding to a +/-3V (6V pk pk) differential signal. For example, if the maximum input signal is 1V pk pk single-ended, then the gain should be set to 6 (or just under).

NOTE4: the Rauch filter will not work unless the input amplifier is enabled in AD2.

The board has footprints for 2 Rauch filters. The typical layout for these is shown on the right in figure 4. Note that there is only one C1, the other components (3 resistors and a capacitor) are in pairs marked 'a' and 'b', and these pairs should always be identical. The user is free to add through hole components to these Rauch footprints to make their own version (neither are populated with through hole components but both are populated with surface mount components – see below).

For the user who wishes to use the board straight out of the box, the Rauch filters are already populated with surface mount components underneath the board. These are shown in table 2.

Anadigm SingleApex Development Board

Rauch Filter	Component Values	Parameters
Rauch_IO1	R1 = R2 = 22kΩ R3 = 10kΩ C1 = 22pF C2 = 10pF	G = 1.0 Q = 0.707 Fo = 490kHz
Rauch_IO2	R1 = R2 = 470kΩ R3 = 220kΩ C1 = 22pF C2 = 10pF	G = 1.0 Q = 0.707 Fo = 23kHz

Table 2: Ready populated Rauch filters

These 2 Rauch filters are provided ready populated as examples. Rauch_IO1 is connected to I/O1 of the FPAA. It is set up with a very high corner frequency and unity gain. If using a single-ended signal, connect IN- to GND (see layout on the right of figure 4) and connect the signal to IN+. If a lower corner frequency is required, it is very easy to modify this filter without removing the surface mount components beneath, simply by adding through hole capacitors. For example, if a 2.2nF capacitor is added to C1 and 1nF capacitors added to C2a and C2b, the corner frequency can be reduced to 4.9kHz (increasing the capacitor values reduces corner frequency by the same factor).

Rauch_IO2 is connected to I/O2 of the FPAA. It is set up with a unity gain and corner frequency of just over 20kHz which is typical of an audio application. If using a single-ended signal, connect IN- to GND (see layout on the right of figure 4) and connect the signal to IN+. If a lower corner frequency is required, it is very easy to modify this filter without removing the surface mount components beneath, simply by adding through hole capacitors. For example, if a 2.2nF capacitor is added to C1 and 1nF capacitors added to C2a and C2b, the corner frequency can be reduced to 230Hz. Alternatively, if a higher corner frequency is required, through hole resistors can be added, without removing the surface mount components beneath. For example, if 10kΩ resistors are added to R1a, R1b, R2a and R2b, and 4.7kΩ resistors are added to R3a and R3b, then the corner frequency can be increased to 1MHz (reducing the resistor values increased the corner frequency by the same factor).

If the user does not wish to use Rauch filters, it is recommended to open the DIP switches connecting the Rauch to the FPAA and connect directly to the FPAA pins using wires soldered to the labelled vias that surround the FPAA.

5.15 Output Buffers

There are 2 output buffers, each pair is connected via DIP switches to the FPAA. The circuit for each of these buffers is shown in figure 5. Like the input Rauch filters, these buffers are multipurpose and perform the following functions: they convert the differential output from the FPAA to single-ended, they step down the FPAA output from VMR to ground, they can amplify or attenuate the signal out of the FPAA, and they provide a low pass filter function (one pole) which is useful for removing clock noise and smoothing the quantisation of the output.

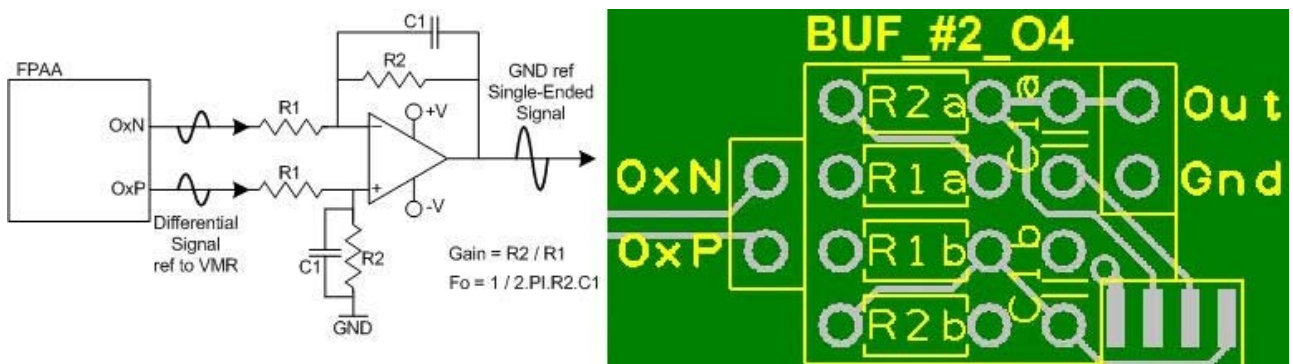


Figure 5: Output Buffer

Anadigm SingleApex Development Board

The equations for gain and corner frequency of the output buffer are as follows:

$$G = R2 / R1$$

$$F_o = 1 / (2 \cdot \pi \cdot R2 \cdot C1)$$

For the user who wishes to use the board straight out of the box, 2 of the output buffers are already populated with surface mount components underneath the board. These are shown in table 3.

Rauch Filter	Component Values	Parameters
Buf_O4	R1 = 33k Ω R2 = 33k Ω C1 = 10pF	G = 1.0 Fo = 480kHz
Buf_O3	R1 = 470k Ω R2 = 470k Ω C1 = 15pF	G = 1.0 F = 23kHz

Table 3: Ready populated output buffers

These 2 output buffers are provided ready populated as examples. Buf_O4 is connected to O4 of the FPAA. It is set up with a very high corner frequency and unity gain. If a lower corner frequency is required, it is very easy to modify this filter without removing the surface mount components beneath, simply by adding through hole capacitors. For example, if 1nF capacitors are added to C1a and C1b, the corner frequency can be reduced to 4.8kHz (increasing the capacitor values reduces corner frequency by the same factor).

Buf_O3 is connected to O3 of the FPAA. It is set up with a unity gain and corner frequency of just over 20kHz which is typical of an audio application. If a lower corner frequency is required, it is very easy to modify this filter without removing the surface mount components beneath, simply by adding through hole capacitors. For example, if 1.5nF capacitors are added to C1a and C1b, the corner frequency can be reduced to 230Hz. Alternatively, if a higher corner frequency is required, through hole resistors can be added, again without removing the surface mount components beneath. For example, if 10k Ω resistors are added to R1a, R1b, R2a and R2b, the corner frequency can be increased to 1MHz (reducing the resistor values increased the corner frequency by the same factor).

If the user does not wish to use output buffers, it is recommended to open the DIP switches connecting the buffer to the FPAA and connect directly to the FPAA pins using wires soldered to the labelled vias that surround the FPAA.

Anadigm SingleApex Development Board

6.0 Jumpers

Table 4 shows a complete list of the jumpers on the board and figure 6 shows their positions.

Jumper	Function	Default State	Default Condition
J1	Connects the digital section to the analog section	All 7 jumpers should be on	Fully connects power, ground and all FPAA digital signals to the digital section
J2	Selects between 16MHz and 40MHz for ACLK source	Jumper off	ACLK = 16MHz
J3	Enables download of test configuration to the FPAA from FLASH (after reset or power cycling). Test circuit outputs sine wave to all FPAA outputs.	Jumper off	Test circuit download disabled
J4	Enables the storage of primary configurations in the PIC32's FLASH. If the jumper is on, the board will remember the last primary configuration after reset or power cycling. If a configuration has not yet been sent from AD2 then the board will configure itself with a blank circuit in the FPAA. If the jumper is removed and the board reset or power cycled, the FLASH will be cleared.	Jumper on	Not in primary configuration storage mode
J5	A jumper on J5 will disable the 16MHz oscillator module and tristate its output. This means that the ACLK pin of the FPAA will not be clocked, also the PIC32 microcontroller will not be clocked, so the whole board will effectively be disabled.	Jumper off	16MHz oscillator enabled
J6	This jumper controls the generation of a negative supply (-3.3V) for the output buffer stages on the board. Jumper to the right disables the negative supply (ties it to ground). Jumper to the left enables the supply.	Jumper to the right	Negative supply disabled

Table 4: Summary of Development Board Jumpers

Anadigm SingleApex Development Board

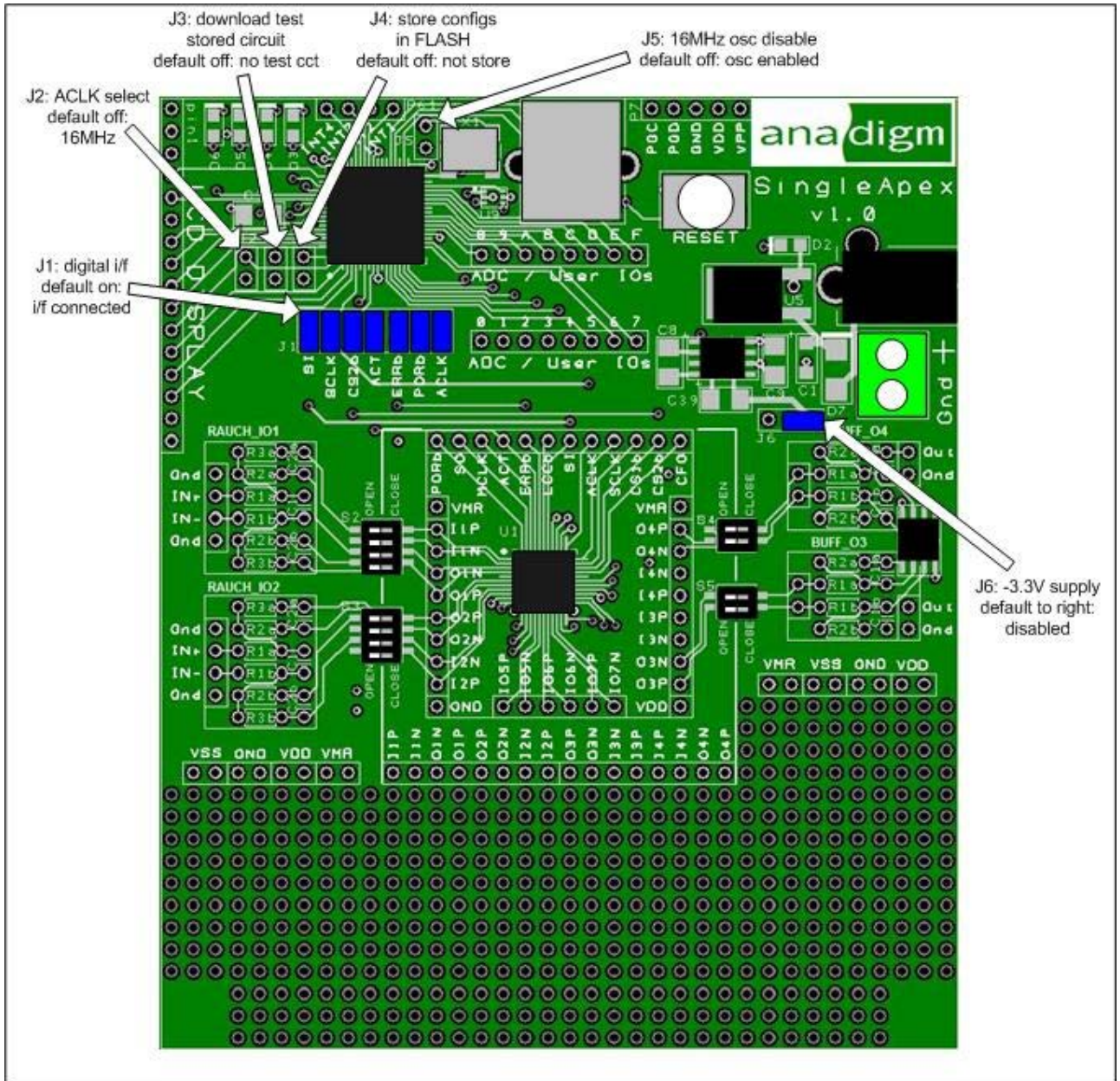


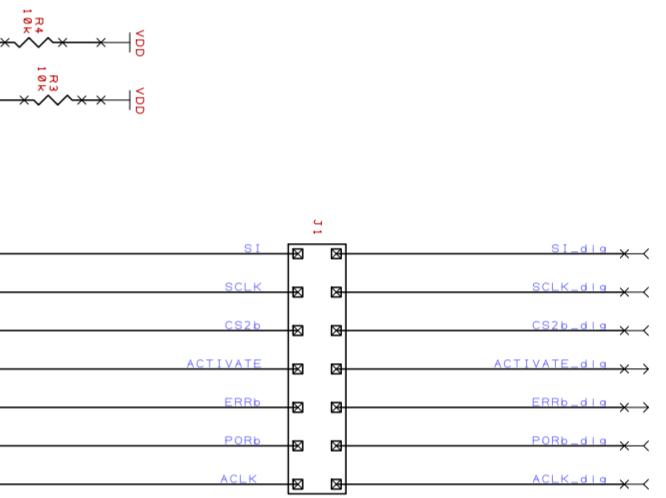
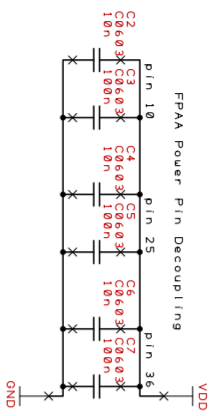
Figure 6: Positions of Jumpers

Anadigm SingleApex Development Board

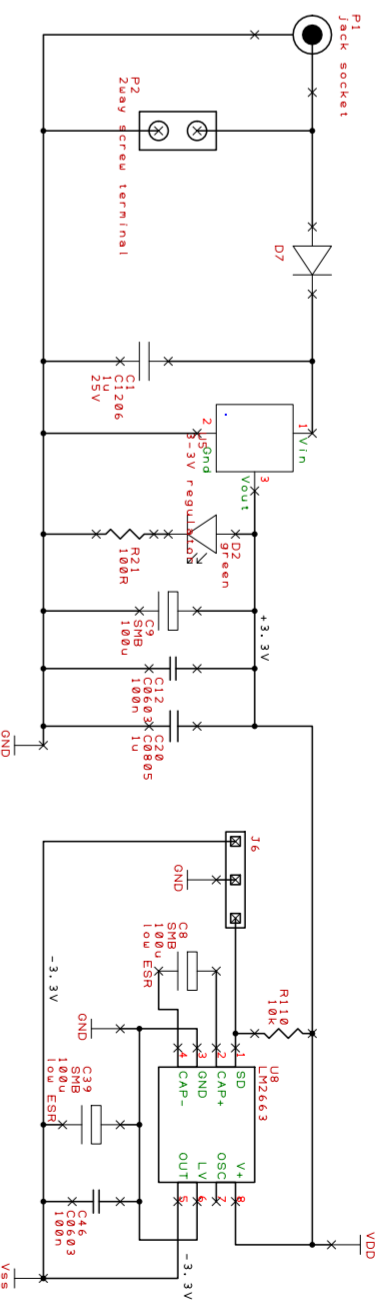
7.0 Absolute Maximum Ratings

Parameter	Symbol	Min	Typ	Max	Unit	Comment
DC Power Supply 3.5mm jack socket	V_{jack}	4	5	9	V	DC voltage only Centre pole is positive, outer sleeve is ground
DC Power Supply Screw terminal "+" post	V+	4	5	9	V	DC voltage only Voltage is relative to "Gnd" post
DC power supply regulator, max current, 9 volts input 6 volts input 5 volts input	I_{supply}	-		175 370 600	mA mA mA	At room temperature The FPAA requires typically 40mA (max 75mA). The additional available power may be used by the microcontroller and components added to the breadboard The regulator is capable of delivering 1A but the current is limited by the regulator power dissipation (1W)
FPAA Input Voltage	F_{in}	-0.5	+3.6		V	Direct input to FPAA on analog IO access points or digital pins (J1 of FPAA access points)
FPAA Output Voltage	F_{out}	-0.5	+3.6		V	Direct output from FPAA on analog IO access points or digital pins (J1 of FPAA access points)
Operating Temperature	T_{op}	10		50	°C	Ambient Operating Temperature
Storage Temperature	T_{stg}	-20		70	°C	Ambient Storage Temperature

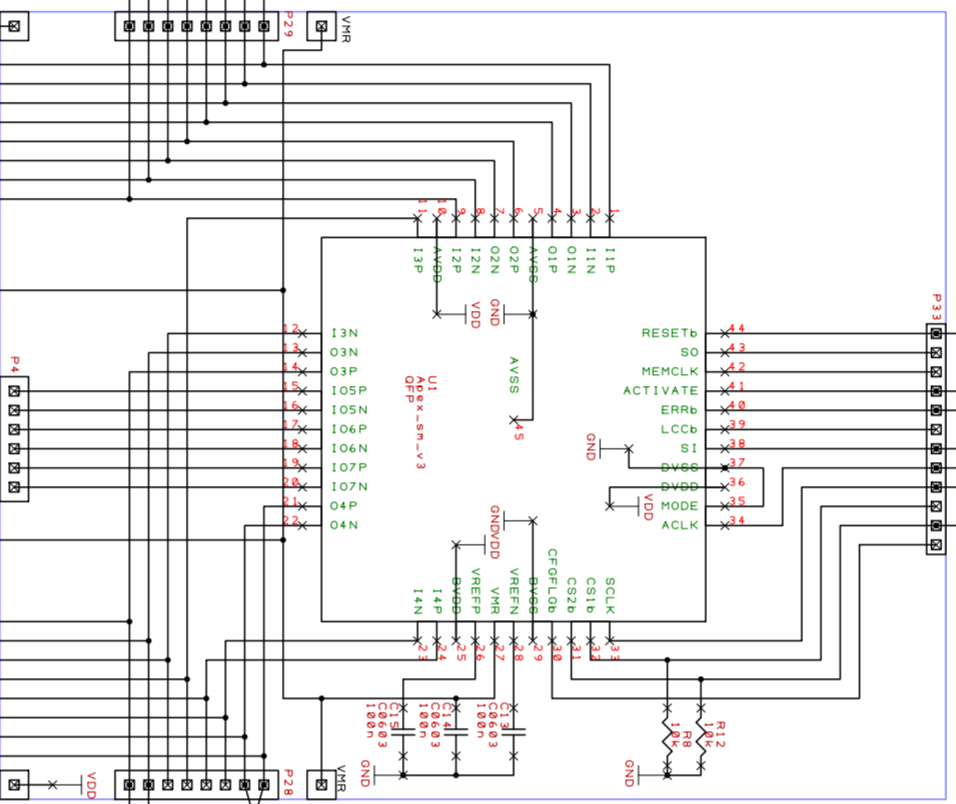
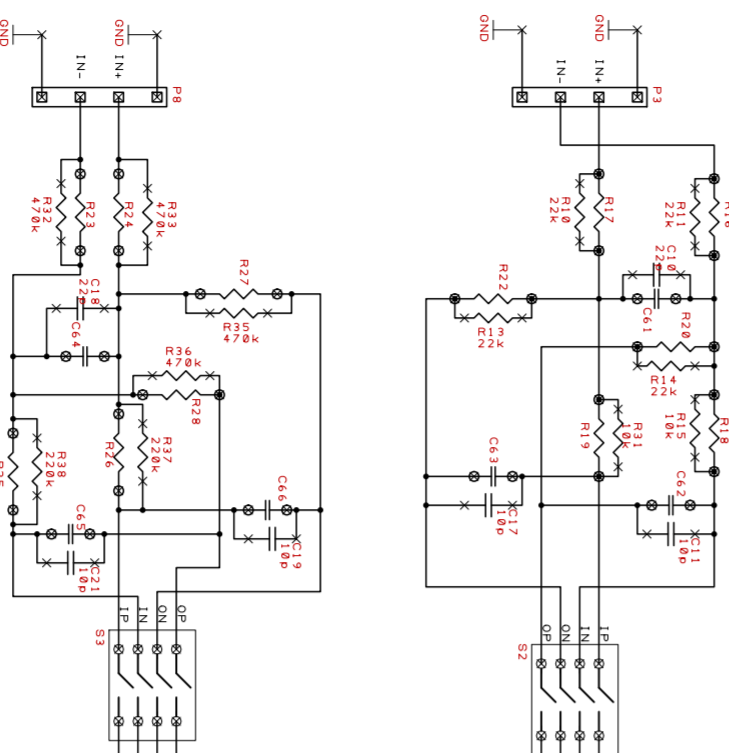
FPGA DECOUPLING



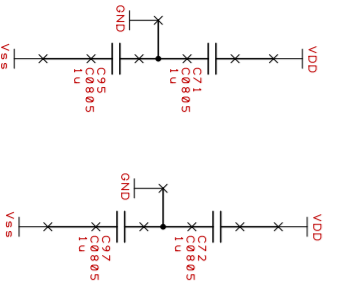
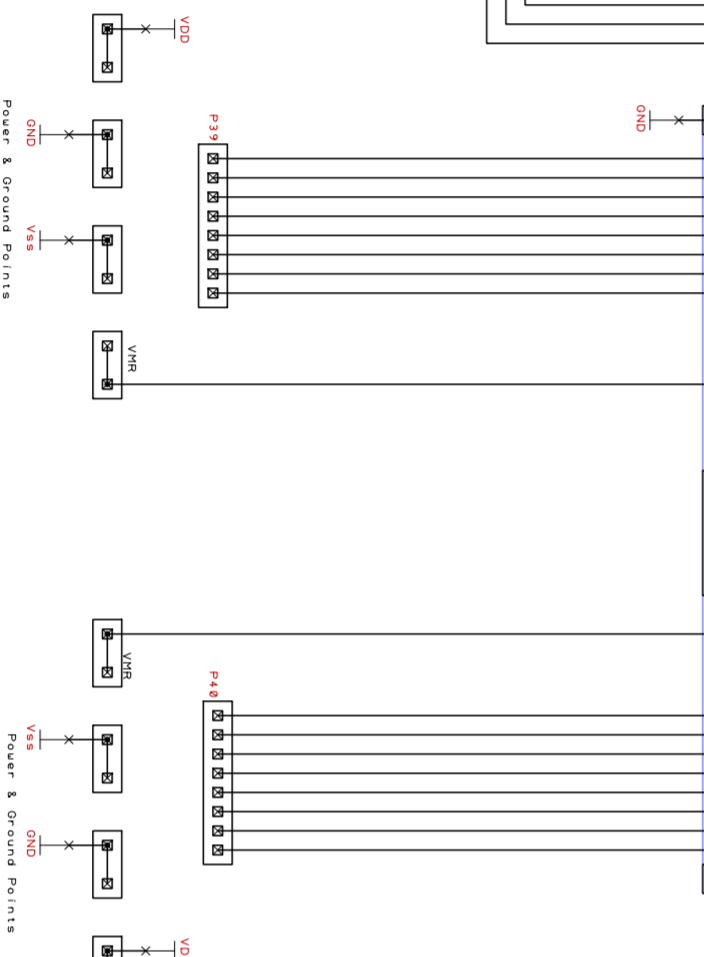
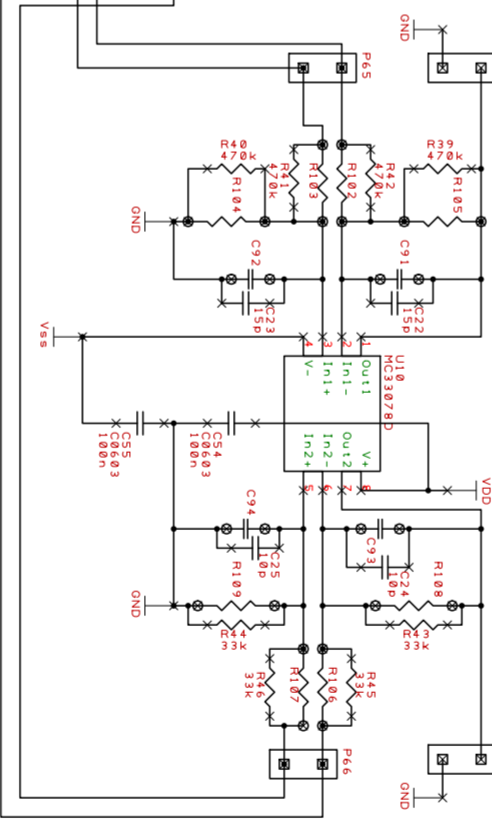
Power Circuits



Rauch Filters

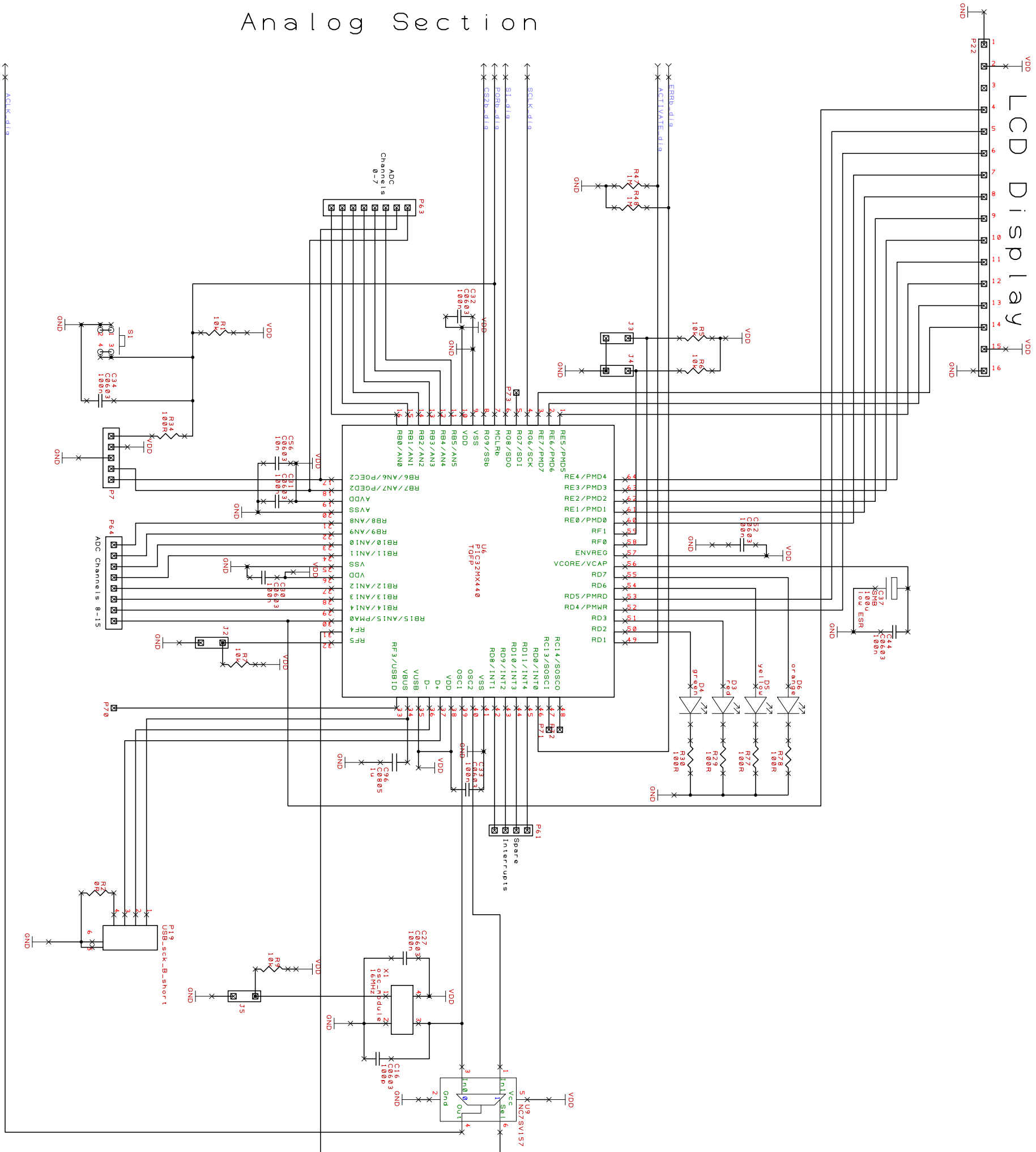


Output D2S



E	D	C	B	A	Draun	Check	Projection Do Not Scale	Anadigm SingleApex v1.0 Dave Lovell 13th Aug 2014
Drn	Drn	Drn	Drn	Project	Client			
Chk	Chk	Chk	Chk	Title	Filename			Drawing No.
								Sheet of

Analog Section



SingleApex_Digital - Schematic
UM231001-K001a Page 16 of 20

E	D	C	B	A	Drawn	Check
Drn	Drn	Drn	Drn	Project		
Chk	Chk	Chk	Chk	Title		

Projection	Client	Filename
Do Not Scale		

Anadigm SingleApex v1.0 Dave Lovell 13th Aug 2014 Drawing No.	Sheet of
--	-------------

Anadigm SingleApex Development Board

Notes:

Anadigm SingleApex Development Board

Notes:

Anadigm SingleApex Development Board

Notes:

Anadigm SingleApex Development Board

Notes:

For More information Contact



<http://www.anadigm.com>
support@anadigm.com